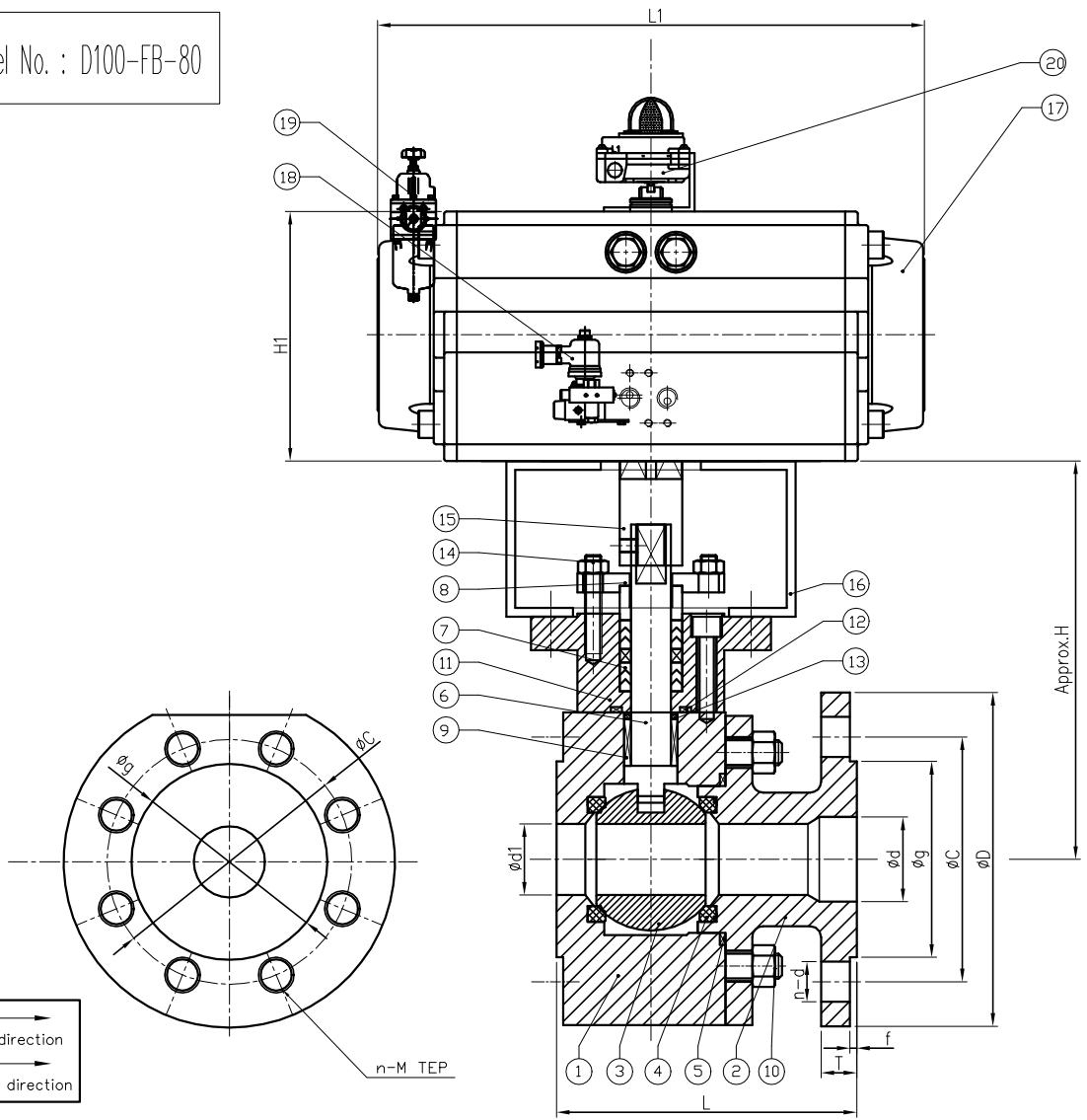


ON 3MG 03504	
지시용접치수	
지시외원반치수 여용차	
일반치수여용차	
절삭가공부분	
구분	1급
14이하 8이하	±0.2
8이하 15~	
15~ 63~	±0.3
63~ 250~	±0.5
250~ 1000~	±0.8
1000~ 2000~	±1.0
3000~ 4000~	±1.5
4000~ 10000~	±2.5
10000~ 100000~	±3.5
용접구조물 (관급가공포함)	
치수차	
구분	보통급
100이하	±1.5
100이하 300이하	±2.0
300이하 1000이하	±3.5
1000~ 3000~	±5.0
3000~ 5000~	±7.2
전치도	
300이하	±1.5
300이하 1000이하	±2.3
1000~ 3000~	±3.5
3000~ 5000~	±5.0
3000~ 5000~	±7.2
1. 1300이하생략 2. 5000이하 모두 1000 보다-0.3로 한다	
각각도	
300이하	±2.0
300~ 1000~	±3.0
1000~ 2000~	±4.0
2000~ 3000~	±5.0
1. 1000 이하생략 2. 3000이하 모두 1000 이하에 결한다	
10000이하 C 0.3 ~ 0.8 100000이하 IC -0.3~0.8	

Model No. : D100-FB-80



NO.	DATA	REVISIONS & DESCRIPTION	SIGNATURE	
			REVIEWED	CHECKED

Pressure Rating (DIN)	Test Pressure(kg/cm ²)			Applicable Temp. (°C)
	Shell	Seat Leakage Hydro.	Air	
PN16	30	22	6	-29~+120°C

- DESIGN STANDARD
1. Flange standard : DIN PN16
 2. Face to face dimension : Requirements
 3. Test Standard: ASME B16.104-Class VI
 4. Pressure temperature rating : ASME B16.34-2004
 5. Valve CE ATEX : EX h IIC T4 Gb
 6. Valve Body Diless

NO.	DESCRIPTION	MATERIAL	QUANTITY	REMARK'S
20	LIMIT SWITCH	POWER GENEX	1	Ex d IIC T4
19	REGULATOR	POWER GENEX	1	
18	SDL VALVE	POWER GENEX	1	Ex d IIC T4, AC220V
17	ACTUATOR	MaxTork	1	SPRING RETURN
16	YDKE	SS304	1	
15	CONNECTOR	A276-410	1	
14	GLAND BOLT	A193-B8	1s	
13	THRUST WASHER	RTFE	1	
12	BONNET GASKET	SPWD(304L+PTFE)	1	
11	BONNET	A479-304	1	
10	CONNECTING BOLT	A193-B8	1s	
9	BUSH	PEEK	1	
8	GLAND FLANGE	A479-304	1	
7	PACKING	PTFE	1s	
6	STEM	A564-630	1	
5	GASKET	SPWD(304L+PTFE)	1	
4	SEAT	TFM1600	2	
3	BALL	A479-304	1	
2	END CAP	A479-304	1	
1	BODY	A479-304	1	

NOMINAL DIAMMETER		MAIN DIMENSION												
DN	DIN	L	D	C	g	d	T	f	n-d	n-M	H	d1	L1	H1
80(A)	PN16	175	200	160	138	74	20	3	8-Ø18	8-M16	235	60	394	173

posco

TITLE: CONTROL BALL VALVE
DN80-PN16, RF, FOR NG GAS

SCALE	PROJECTION
MANUF. NO.	STOCK NO.
DWG. NO.	DHP0-BV-D100-FB-80

DESIGNER	CHECKER	REVIEWER	APPROVER	DATE
----------	---------	----------	----------	------