

지시 용접 치수
ON
SMD
00504

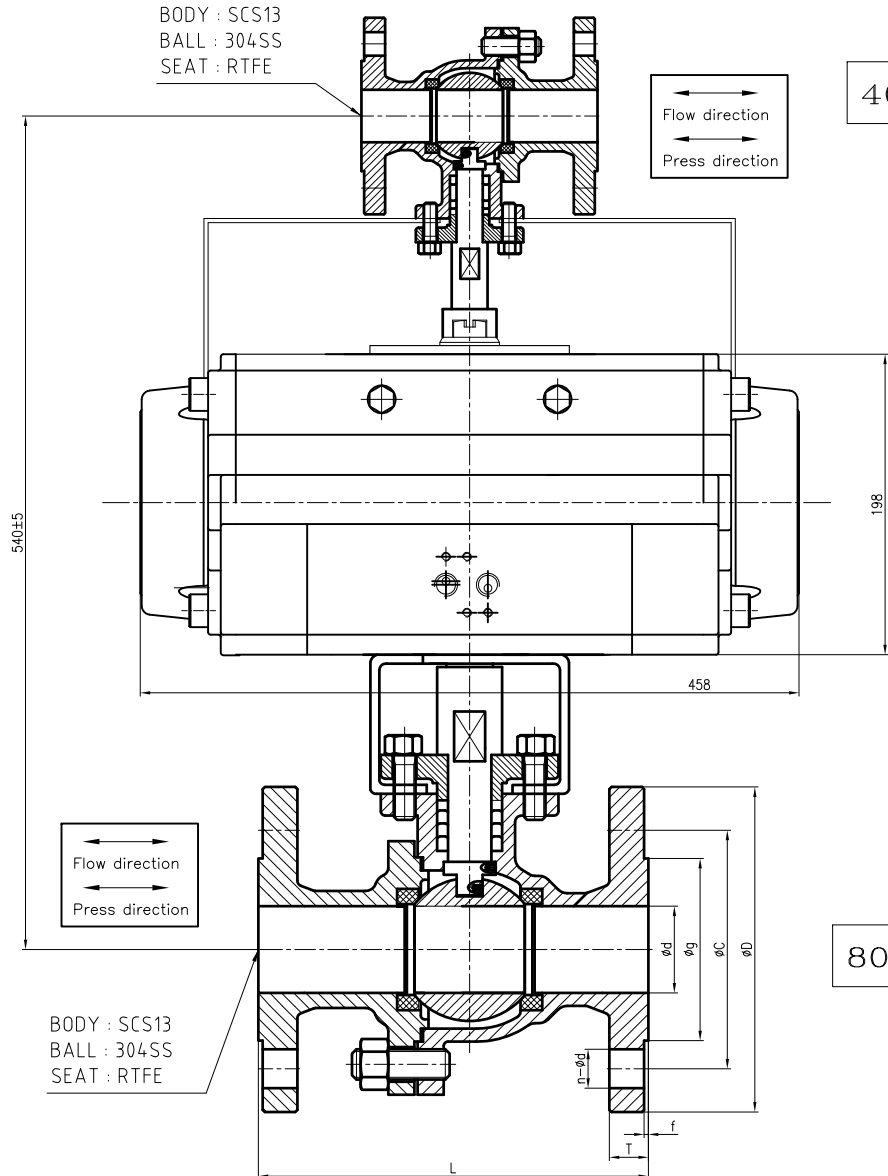


지시외일반치수
허용차
일반치수허용차
절삭가공부분

구분	등급
14이하	8이하
15~	15~
15~	63~
63~	250~
250~	1000~
1000~	2000~
3000~	4000~
4000~	10000~
10000~	100000~

Model No. : D100-F

BODY : SCS13
BALL : 304SS
SEAT : RTFE



40A-10K

80A-30K

BODY : SCS13
BALL : 304SS
SEAT : RTFE

NO.	DATA	REVISIONS & DESCRIPTION	SIGNATURE	
			REVIEWED	CHECKED

Pressure Rating (JIS)	Test Pressure(kg/cm ²)			Applicable Temp. (°C)
	Shell	Seat Leakage Hydro.	Seat Leakage Air	
10K	30	22	6	-29~+120°C

Pressure Rating (JIS)	Test Pressure(kg/cm ²)			Applicable Temp. (°C)
	Shell	Seat Leakage Hydro.	Seat Leakage Air	
30K	80	55	6	-29~+120°C

DESIGN STANDARD

1. Flange standard : JISK B 2220:2004
2. Face to face dimension : Requirements
3. Wall thickness standard : ASME B16.34-2004
4. Test Standard : ASME B16.104-Class IV
5. Pressure temperature rating : ASME B16.34-2004

용접구조물 (관급가공포함)
치수차

구분	보통급
100이하	±1.5
100이하	±2.9
300이하	±3.5
1000이하	±5.0
3000이하	±7.2

전치도

300이하	±1.5
300이하	±2.3
1000이하	±3.5
3000이하	±5.0
3000이하	±7.2

1. 1300이하강재
2. 5000이하강재 1000보다-0.30번다

적격도

300이하	±2.0
300~	±3.0
1000~	±4.0
2000~	±5.0

1. 1000이하강재
2. 3000이하강재 1000보다-0.30번다

10000이하 C 0.3 ~ 0.8
100000이하 C -0.3 ~ 0.8

TUBING SPECIFICATION		STAINLESS STEEL	
5. AIR SET	-	-	AIR CONN. : RC 1/4"
4. SOL V/V	-	-	VOLTAGE : - ENCL CLASS : -
3. LIMIT S/W	-	-	ENCL CLASS : - ELEC.CONN. : -
2. ACTUATOR	DA AT160	DHCVD	FAIL POSITION : LAST AIR SUPPLY : 5 kg/cm ²
1. BALL VALVE	BTS	DHCVD	END CONN. : JIS 10K, 30K RF

NOMINAL DIAMETER		MAIN DIMENSION							
DN	JIS	L	D	C	g	d	T	f	n-ød
40A	10K	165	140	105	81	38	16	2	4-ø19
80A	30K	283	210	170	140	76	28	2	8-ø23

DHCv DaehanCVD Co.,Ltd
www.cvdvalve.com

TITLE Floating Ball Valve
40A-10K, 80A-30K RF

PERSON	SIGNATURE	DATE	DRAWN	CHECKED	REVIEWED	APPROVED	CONSULTANT	DRAWN	CHECKED	REVIEWED	APPROVED	POSCO DWG. NO.

SCALE: _____ PROJECTION: ☉ ⊕ ⊖ ⊗

MANUF. NO. _____
STOCK NO. _____
DWG. NO. _____