

ON
DWG
00504

지시 용접 치수


지시 외일반치수
 허용 치수
 일반치수 허용치
 절삭가공부분

Model No. : D100-F1

구분	등급	치수	허용치
14인치	8인치	15~	±0.2
15~	63~	250~	±0.3
63~	250~	1000~	±0.5
250~	1000~	2000~	±0.8
1000~	2000~	3000~	±1.0
3000~	4000~	10000~	±1.5
4000~	10000~	100000~	±2.5
10000~	100000~		±3.5

용접구조물
(관공가공포함)

구분	보통급	치수	허용치
100이하			±1.5
100이하			±2.9
300이하			±3.5
1000이하			±5.0
3000~			±7.2

전 치 도

300이하	±1.5
300이하	±2.3
1000~	±3.5
3000~	±5.0
3000~	±7.2

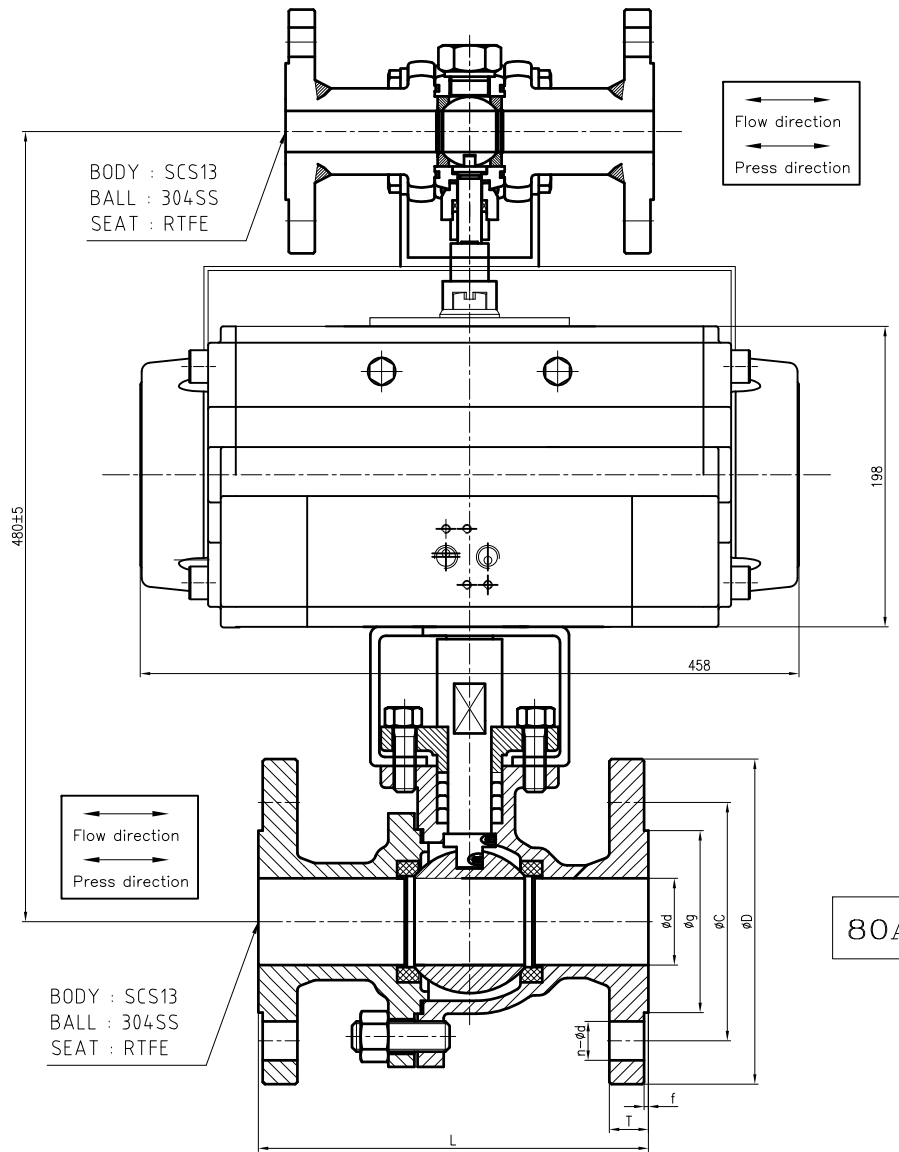
1. 1300이하
2. 5000이하 1000보다-0.30번다

적 각 도

300이하	±2.0
300~	±3.0
1000~	±4.0
2000~	±5.0

1. 1000 이하
2. 3000 이하 1000 이하

10000이하 C 0.3 ~ 0.8
100000이하 IC -0.3 ~ 0.8



BODY : SCS13
BALL : 304SS
SEAT : RTFE

BODY : SCS13
BALL : 304SS
SEAT : RTFE

Flow direction
Press direction

Flow direction
Press direction

40A-30K

80A-30K

NO.	DATA	REVISIONS & DESCRIPTION	SIGNATURE	
			REVIEWED	CHECKED

Pressure Rating (JIS)	Test Pressure(kg/cm ²)			Applicable Temp. (°C)
	Shell	Seat Leakage Hydro.	Air	
30K	80	55	6	-29~+120°C

DESIGN STANDARD

1. Flange standard : JISK B 2220:2004
2. Face to face dimension : Requirements
3. Wall thickness standard : ASME B16.34-2004
4. Test Standard : ASME B16.104-Class IV
5. Pressure temperature rating : ASME B16.34-2004

TUBING SPECIFICATION		STAINLESS STEEL	
5. AIR SET	-	-	AIR CONN. : RC 1/4"
4. SOL V/V	-	-	VOLTAGE : - ENCL CLASS : -
3. LIMIT S/W	-	-	ENCL CLASS : - ELEC.CONN. : -
2. ACTUATOR	DA AT160	DHCVD	FAIL POSITION : LAST AIR SUPPLY : 5 kg/cm ²
1. BALL VALVE	BTS	DHCVD	END CONN. : JIS 30K RF

NOMINAL DIAMETER		MAIN DIMENSION							
DN	JIS	L	D	C	g	d	T	f	n-ød
40A	30K	229	160	120	90	38	22	2	4-ø23
80A	30K	283	210	170	140	76	28	2	8-ø23

DHCv DaehanCVD Co.,Ltd
www.cvdvalve.com

PROJ. NO. _____ **SCALE** _____ **PROJECTION** ☉ ⊕

TITLE Floating Ball Valve
40A-30K, 80A-30K RF

PERSON	SIGNATURE	DATE	DRAWN				CHECKED				REVIEWED				APPROVED			

CONSULTANT _____

MANUF. NO. _____ **STOCK NO.** _____ **DWG. NO.** _____

POSCO DWG. NO. _____